



# Soundweb™ BLU-8

## Zone Controller Installation Guide



**BSS Audio**  
8760 S. Sandy Parkway  
Sandy, Utah 84070, USA  
[www.bssaudio.com](http://www.bssaudio.com)  
+1 801-566-8800



# DECLARATION OF CONFORMITY

Manufacturer's Name: BSS Audio  
Manufacturer's Address: 8760 S. Sandy Parkway  
Sandy, Utah 84070, USA

declares that the product:

Product name: BLU-8  
Note: Product name may be suffixed by the letters -EU and BLK or WHT.  
Product option: None

conforms to the following Product Specifications:

Safety: Low Voltage Device

EMC: EN 55013 (2001+A1)  
EN 55020 (1998)

Supplementary Information:

The product herewith complies with the requirements of the Low Voltage Directive 73/23/EEC and the EMC Directive 89/336/EEC as amended by Directive 93/68/EEC.

Director of Engineering – BSS Audio  
8760 S. Sandy Parkway  
Sandy, Utah 84070, USA  
Date: February 1, 2007

European Contact: Your local BSS Audio Sales and Service Office or

Harman Music Group  
8760 South Sandy Parkway  
Sandy, Utah 84070, USA  
Ph: (801) 566-8800  
Fax: (801) 566-7005

## Regulatory Information

An example of this equipment has been tested and found to comply with the International Standards for Electromagnetic Compatibility as referenced in the Declaration of Conformity above (only when used with a metal wall-box).

All interconnecting Ethernet cables must be of a shielded type.

## Introduction

We have written this guide with the aim of helping installers and sound engineers alike to get the most out of the BLU-8. We recommend that you read this manual before attempting to operate the unit. **We welcome any comments or questions** regarding the BLU-8 or other BSS Audio products, and you may contact us at the address or world wide web sites shown on the cover.

# Packing List

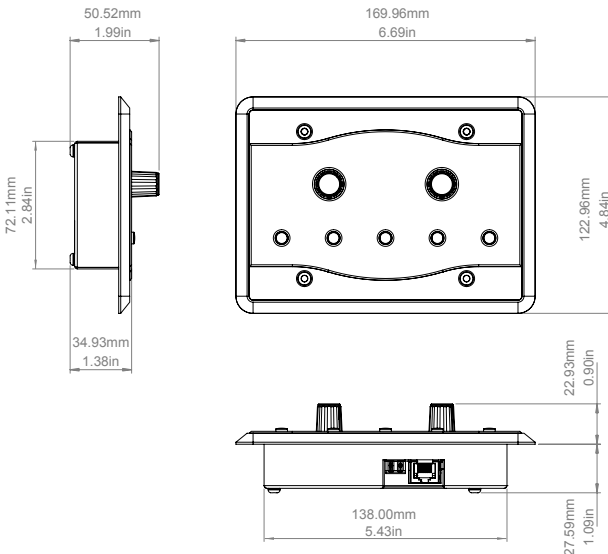
Quantity	Description	Part number (black version)	Part number (white version)
1	BLU-8	BSSBLU8-BLK	BSSBLU8-WHT
4	6-32 x 3/4 slotted machine screws in black or silver	28-0254	28-0255
1	International sticker sheet	30-0309	30-0309
1	2-way Weidmuller Combicon	32-0275	32-0275
1	Lexan overlay	30-1276	30-1277

## Mechanical Installation

The BLU-8 is designed to fit into a standard 3-gang US wall box. Screws are provided to fix the unit in place.

Dimensions of the unit are shown below. The use of a metal wall box is recommended to ensure that the installation meets necessary EMC standards. A list of recommended boxes is also shown below.

Manufacturer	Part Number	
Carlson	BH 353A	New work three gang box.
Carlson	355R	Old work three gang box.



1. Place the Lexan overlay in the front plastic tray of the BLU-8. Optionally, this may be replaced with a custom overlay in a color and style to match the décor of the facility or with your own branding.
2. Affix legend stickers in place on the labelling areas of the Lexan overlay, if required. If a custom overlay has been used, this labelling may have been included in the artwork.
3. Place the clear cover molding on top of the Lexan, taking care to align correctly so that the buttons are not trapped.
4. Screw the entire unit into the wallbox with the screws provided.



## Power

The BLU-8 requires 12-48V DC to be supplied externally. There are two ways to do this:

Connect a suitable supply to the 12-48V DC connector,  
or

the unit may be powered via the Ethernet connector using IEEE802.3af Power Over Ethernet (POE).

### Typical mid-span Ethernet powering devices are:

- 3Com® Power over Ethernet Single-Port Midspan Solution - p/n 3CNJPSE
- 3Com® Power over Ethernet Multiport Midspan Solution - p/n 3CNJPSE24
- Cisco Unified IP Phone Power Injector – p/n CP-PWR-INJ

### Ethernet switches with power over Ethernet ports include:

- 3Com® SuperStack® 3 Switch 4400 PWR - p/n 3C17205
- HP ProCurve Switch 2626-PWR - p/n J8164A#ABA

## Network connection

The BLU-8 connects into a Soundweb London network via its Ethernet port, either directly into the rear of a rackmount device (e.g BLU-16) with a Cat 5 crossover cable, or with a standard Cat 5 cable into an Ethernet switch.

The BLU-8 is shipped in with Auto-IP enabled, ready for first configuration. Static IP addresses are recommended, but DHCP is supported. Please see the important note about DHCP in the HiQnet London Architect help file.

## Technical Specifications

Maximum network cable length	300 feet (100 meters)
Power consumption	300 mA max at 12V
Operating temperature	32-104 degrees Fahrenheit (0-40 degrees Celsius)