



**Soundweb™ London BLU-10**

## **Wall Panel Installation Guide**



**BSS Audio**  
8760 S. Sandy Parkway  
Sandy, Utah 84070, USA  
<http://www.bssaudio.com>  
801-566-8800



**Soundweb™  
London**

# DECLARATION OF CONFORMITY

Manufacturer's Name: BSS Audio  
Manufacturer's Address: 8760 S. Sandy Parkway  
Sandy, Utah 84070, USA

declares that the product:

Product name: BLU 10  
Note: Product name may be suffixed by the letters-EU.  
Product option: None

conforms to the following Product Specifications:

Safety: Low Voltage Device

EMC: EN 55103-1 (1996)  
EN 55103-2 (1996)

Supplementary Information:

The product herewith complies with the requirements of the Low Voltage Directive 73/23/EEC and the EMC Directive 89/336/EEC as amended by Directive 93/68/EEC.

Vice-President of Engineering – Pro  
8760 S. Sandy Parkway  
Sandy, Utah 84070, USA  
Date: October 24, 2005

European Contact: Your local BSS Audio Sales and Service Office or

Harman Music Group  
8760 South Sandy Parkway  
Sandy, Utah 84070, USA  
Ph: (801) 566-8800  
Fax: (801) 566-7005

## Introduction

We have written this guide with the aim of helping installers and sound engineers alike to get the most out of the BLU-10. We recommend that you read this manual, before attempting to operate the unit. We welcome any comments or questions regarding the BLU-10 or other BSS products, and you may contact us at the address or world wide web sites given overleaf.

## Regulatory Information

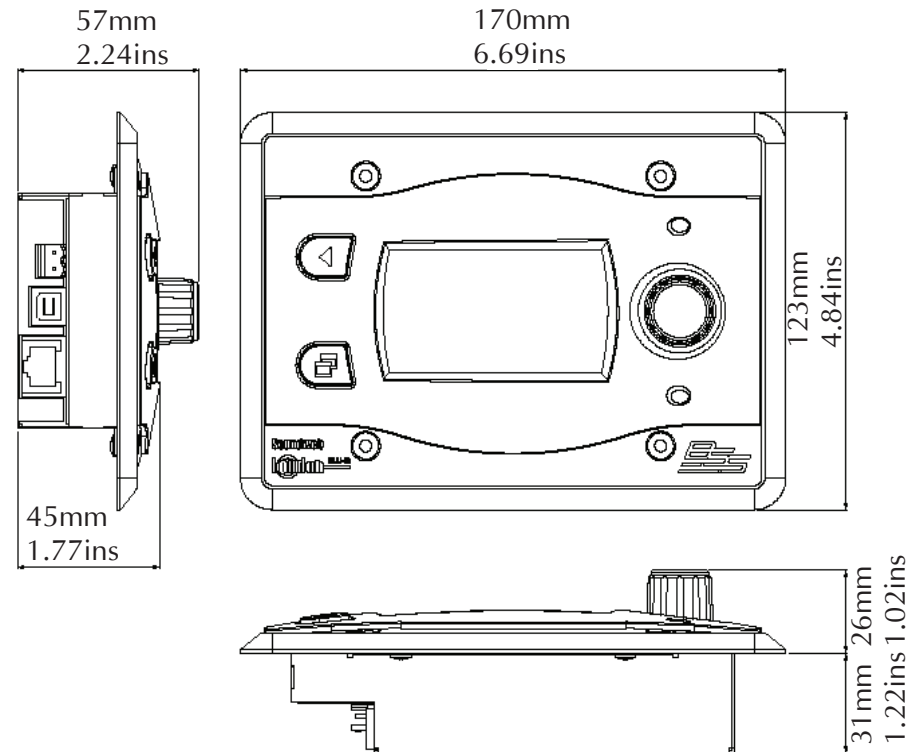
An example of this equipment has been tested and found to comply with the following European and International Standards for Electromagnetic Compatibility (only when used with a metal wall-box):

FCC part 15 Class A  
EN55103-1: 1996 (E2)  
EN55103-2: 1996 (E2)

## Mechanical Installation

The BLU-10 is designed to fit into a standard 3-gang US wall box. Screws are provided to fix the unit in place.

Dimensions of the unit are shown below. The use of a metal wall box is recommended to ensure that the installation meets necessary EMC standards.



## Power

The BLU-10 requires 12-48V DC to be supplied externally. There are two ways to do this:

Connect a suitable supply to the 12-48V DC connector, see diagram below,

or

the unit may be powered via the Ethernet connector using IEEE802.3af Power Over Ethernet (POE).

**Typical mid-span ethernet powering devices are:**

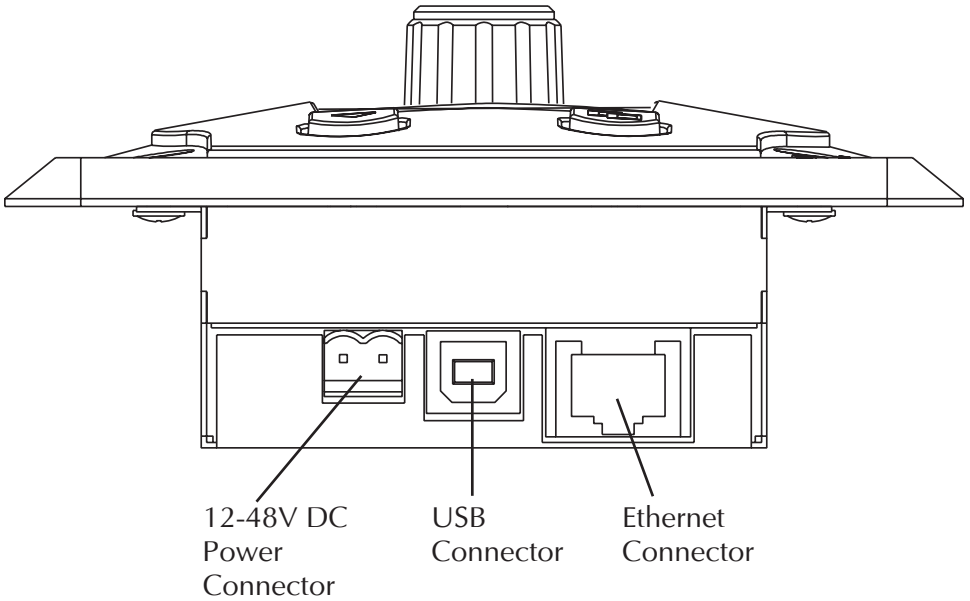
3Com® Power over Ethernet Single-Port Midspan Solution - p/n 3CNJPSE

3Com® Power over Ethernet Multiport Midspan Solution - p/n 3CNJPSE24

**Ethernet switches with power over ethernet ports include:**

3Com® SuperStack® 3 Switch 4400 PWR - p/n 3C17205

HP ProCurve Switch 2626-PWR - p/n J8164A#ABA



## Wiring

The BLU-10 connects into a Soundweb London network via its Ethernet port, either directly into the rear of a rackmount device (e.g. BLU-16) with a Cat 5 crossover cable, or with a standard Cat 5 cable into an Ethernet switch.

## Technical Specifications

Maximum network cable length	300 feet (100 meters)
Power consumption	300 mA max at 12V